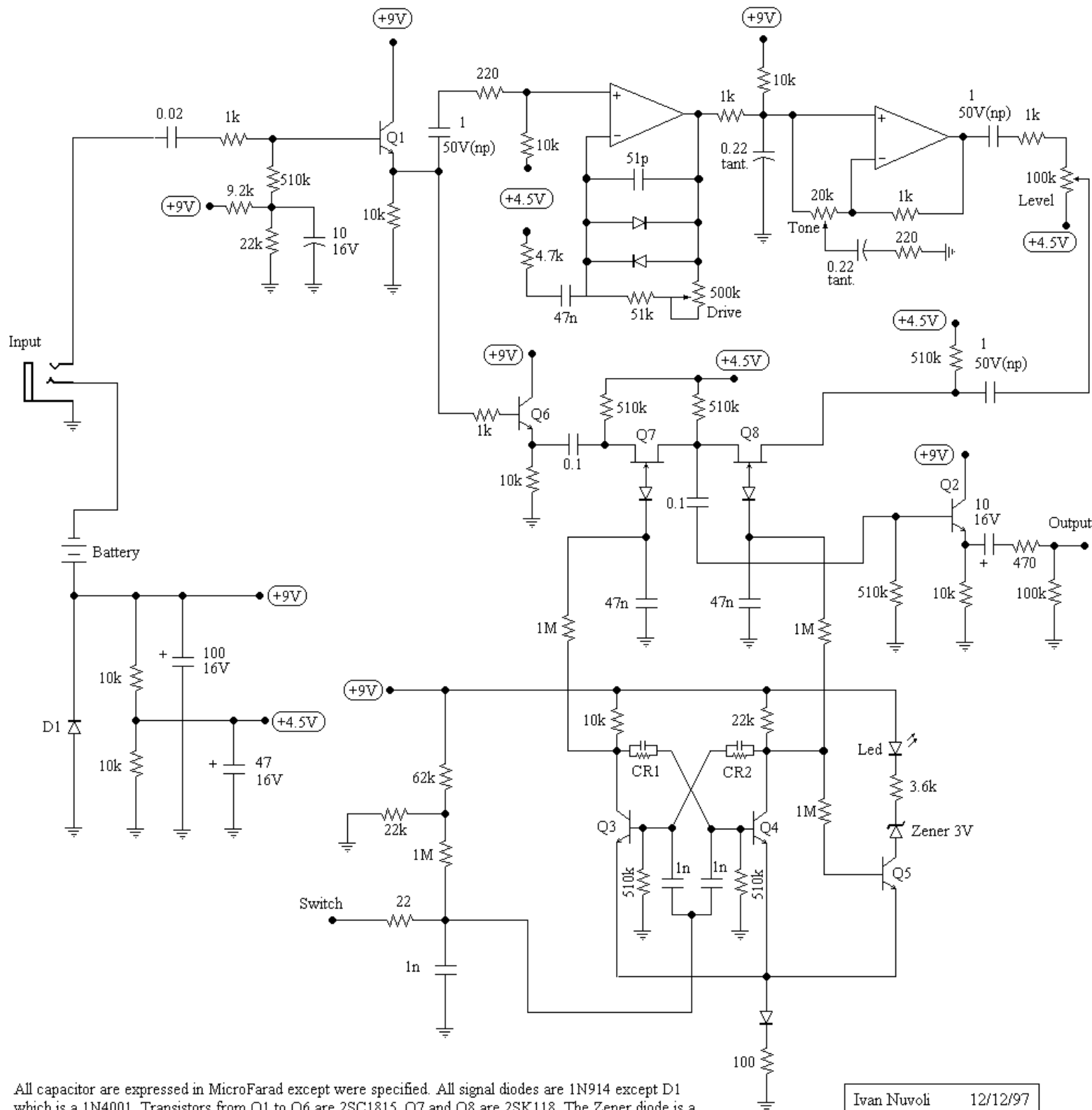


Ibanez Tube Screamer TS-10



All capacitor are expressed in MicroFarad except were specified. All signal diodes are 1N914 except D1 which is a 1N4001. Transistors from Q1 to Q6 are 2SC1815, Q7 and Q8 are 2SK118. The Zener diode is a ZW3. The dual op-amp. IC is a NJZ4558, but I've changed it with a better RC4558 (I even tried a TL082). CR1 e CR2 are custom component that merely consist of a 56k resistor and 51p capacitor in parallel. All capacitor with a plus (+) sign are eletrolitic, those with the tant. label are Tantalum capacitor, those with np label are not polarized capacitor, all the others are ceramic. That's all!

Ivan Nuvoli	12/12/97
s78087@cclix1.polito.it	